



## TECHNICAL DATA SHEET

### G022 - springer



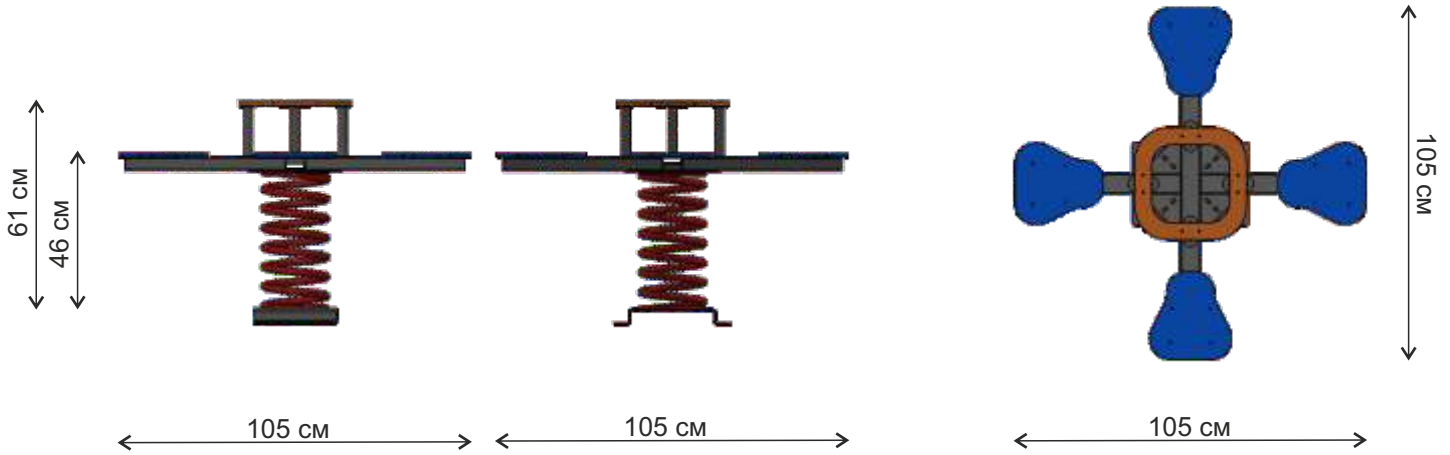
#### 1. ОБЩА ХАРАКТЕРИСТИКА

AGE GROUP:	3-12 y
PLAYERS:	up to 4
SIZE (cm):	L:105/W:105/H:61
IMPACT ZONE:	6 m <sup>2</sup>
FREE FALL HEIGHT:	46 cm
MATERIALS:	metal plates; HDPE panels; springer
INSTALLATION:	anchor / concrete
STANDARDS:	EN1176-1, EN1176-6
WARRANTY:	60 m

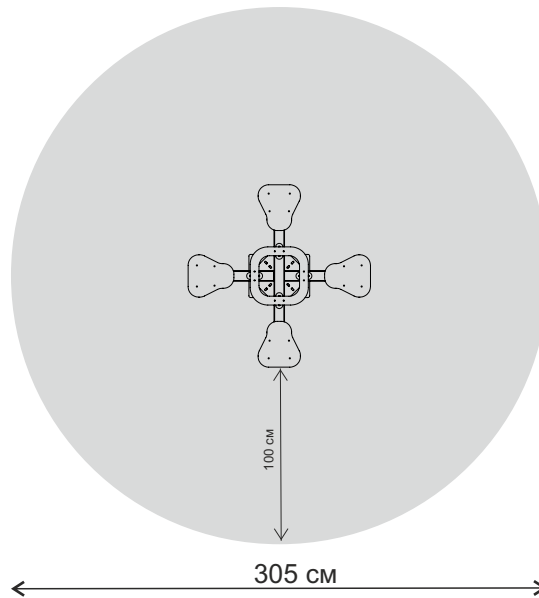




## 2. SIZE

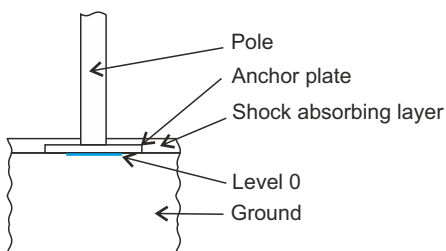


## 3. IMPACT ZONE - 7 m2

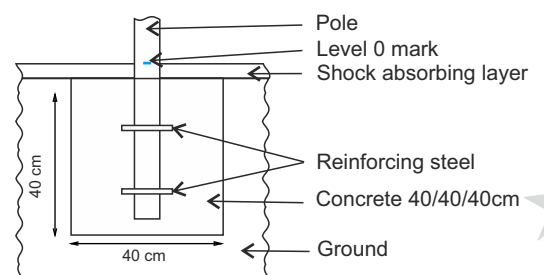


## 4. INSTALLATION

### Anchor



### Concrete



## 5. MATERIALS

### Constructions

They are made of metal tubes and plates, which ensure strength, long-term use, durability and reliability of the equipments. Metal parts are covered by anti-corrosion primer and paint with UV protection. The structures of the facilities are designed according to the requirements of EN 1176-1. They provide safety play for children, protection against falling and all types of entrapment.

### Seats, platforms, walls, roofs and decorative parts

Used HDPE and HEXA panels have required solidity to provide excellent resistance to atmospheric conditions and vandalism.

### Fixings

All fixing elements are protected and secured by caps.

---

## 6. MAINTENANCE AND CONTROL

General safety requirements for playground equipments are defined by EUROPEAN STANDARD EN 1176-1

### Permanent control:

It is carried out by the owner of the playground once every 7-10 days to identify visible hazards.

### Periodic control:

The owner of the playground checks the normal functioning and stability of the playground equipment as a result of their use every 3 months.

### Annual control:

Authorised technician checks the general level of safety of the playground according to the requirements by EUROPEAN STANDARD EN 1176-1.

All detected irregularities should be removed to ensure normal use of the playground.

---

## 7. WARRANTY

The warranty durance for the play equipment is 60m.

The warranty covers:

- defects from poor-quality manufacturing of the product
- defects from used low-quality materials

The warranty does not cover:

- defects caused by assembling or installation that do not comply with the manufacturer's instructions
- damage to the product caused by vandalism
- damage from incorrect use
- damages caused by irregular control and maintenance of the facility
- defects from normal amortization, which occurs when using the product for its intended purpose: scratches, dents, rubbing, fading, cosmetic problems from surface corrosion
- damage caused by fallen branches, parts of buildings, vehicles or other moving objects.

---

## 8. ISO 9001; ISO 14001

The company GOTINSTAIN EOOD is certified according to **ISO 9001** and **ISO 14001** for quality management of the production of playgrounds, sports and fitness equipment, garden and park equipment.